

5.1 Micro Frictionless Tables Type ND



- Single axis model in steel
- 3 sizes
- With roller cages
- Lengths from 25 to 155 mm
- Strokes from 12 to 90 mm
- Low friction force
- For highest accuracy requirements

5.2 Material

Steel

5.3 Standard Model

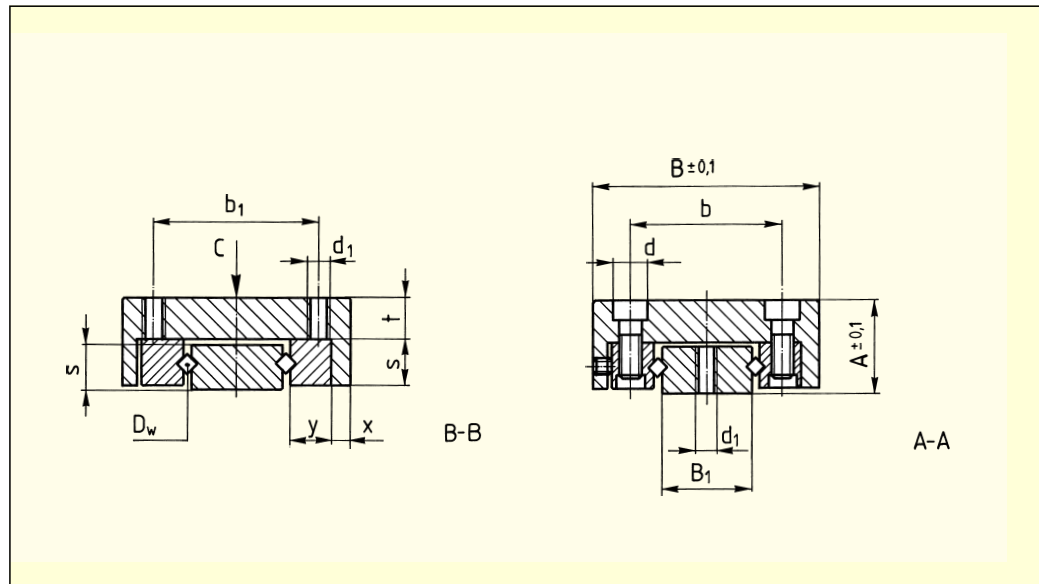
Type ND micro frictionless tables consist of equal length upper and lower sections. The double V-shaped lower section is through hardened. All sizes are equipped with type AC roller cages and can be mounted horizontally or vertically. In the upper and lower sections there are standardized attaching holes.

5.4 Special Model

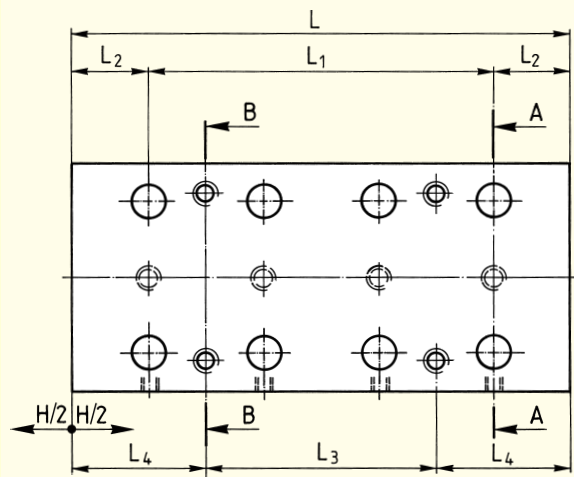
Ball Cages Type AK (-AK)

For reduced sensitivity to dirt. Lower load carrying capacity

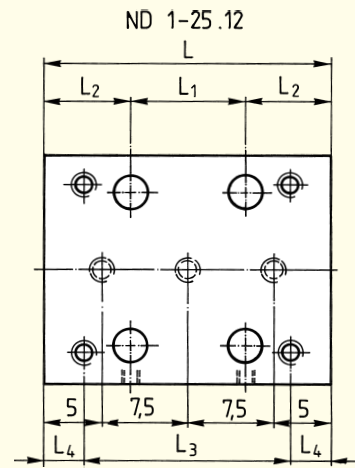
5.5 Specifications



Order No.	Dimensions (mm)								
	A	B	B ₁	D _w	H	L	L ₁	L ₂	L ₃
ND 1-25.12					12	25	1×10		1×18
ND 1-35.18	8	20	7	1.5	18	35	2×10	7.5	1×28
ND 1-45.25					25	45	3×10		1×20
ND 1-55.32					32	55	4×10		1×30
ND 2-65.40					40	65	3×15		1×30
ND 2-80.50	12	30	12	2	50	80	4×15	10	1×45
ND 2-95.60					60	95	5×15		2×30
ND 3-105.60					60	105	3×25		1×50
ND 3-130.75	16	40	15	3	75	130	4×25	15	1×75
ND 3-155.90					90	155	5×25		2×50



Layout of the standard attaching holes



L_4	b	b_1	d	d_1	s	t	x	y	C in N	M_L in Nm	M_Q in Nm	Weight in kg
3.5									200	0.90	0.80	0.02
3.5	12.4	14	4.2	M 2.5	4	3.5	1.95	3.9	300	1.50	1.20	0.03
12.5									400	2.10	1.60	0.04
12.5									550	3.00	2.20	0.05
									765	5.44	5.16	0.16
17.5	20	22	6	M 3	6	5.5	2.3	5.5	1020	7.48	6.89	0.19
									1190	8.84	8.03	0.24
									1690	15.60	13.52	0.47
27.5	27	30	7.5	M 4	8	7.5	2.5	8.3	2210	20.80	17.68	0.59
									2730	26.00	21.84	0.70

Ordering example: 1 Micro frictionless table ND 2-80.50