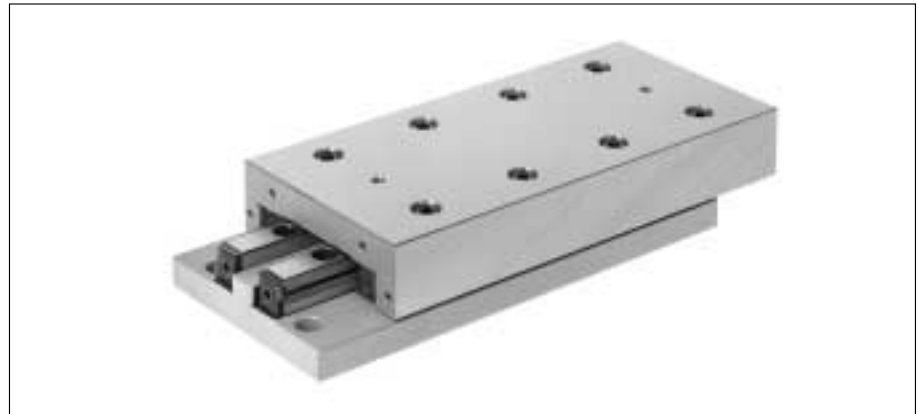


3.1 Frictionless Tables Type NK



- Single axis model in steel or cast-iron depending on the size
- With roller cages
- 5 sizes
- Lengths from 25 to 510 mm
- Strokes from 10 to 450 mm
- Supports a variety of applications due to the many different sizes
- For highest accuracy requirements
- For highest accelerations available with FORMULA-S

3.2 Material

Sizes NK 1 and 2 = Steel
 Sizes NK 3, 6 and 9 = Cast-iron

3.3 Standard Model

Type NK frictionless tables consist of equal length upper and lower sections and type R linear bearings. All tables are equipped with type AC roller cages and type GB endpieces and can be mounted vertically or horizontally. The lower section includes standardized attaching holes. The sides opposite to the setscrews in the upper and lower sections can be used for mounting purposes. For the standard model stroke limiting is made by means of two screws in the upper section and one screw in the lower section. These screws can withstand only small forces or impacts in the direction of motion and should not be used as stops. With FORMULA-S these screws are no more necessary due to the cage assist system.

3.4 Special Models

Standard Attaching Holes (-B)

In the upper section (other hole configurations on request)

Roller Cages Type EE (-EE)

Plastic material, only available for sizes 6 and 9. Provides sealing against dirt and dust; therefore somewhat stiffer motion

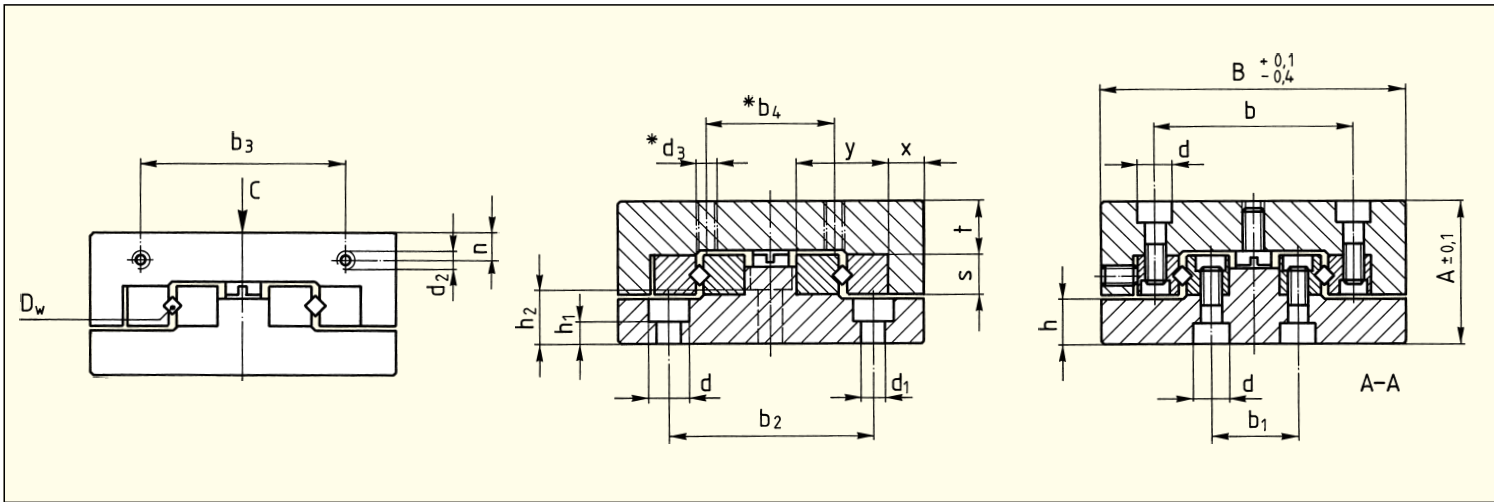
Ball Cages Type AK (-AK)

For reduced sensitivity to dirt. Lower load carrying capacity

Cage assist integrated (-KS)

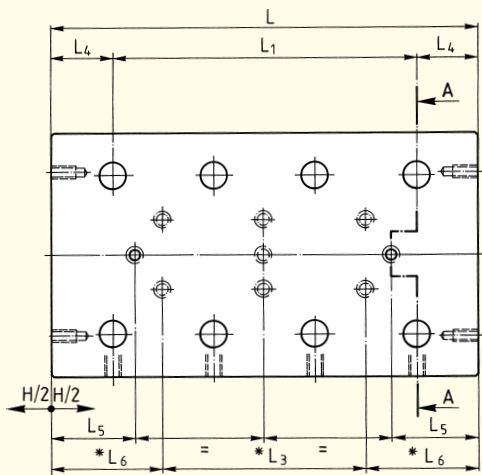
for high dynamics and all assembly orientations for sizes 3 and 6

3.5 Specifications

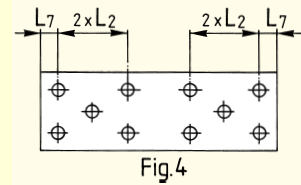
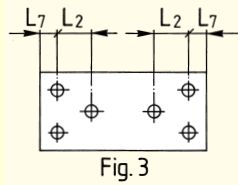
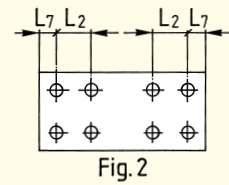
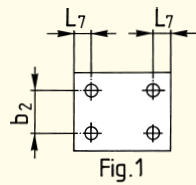


Order No.	Dimensions (mm)				L	L ₁	L ₂	*L ₃	L ₄	L ₅	*L ₆	L ₇	b	b ₁	b ₂	b ₃	*b ₄	d	d ₁	
	A	B	D _w	H																
NK 1-25				10	25	1×10	–			3.0										
NK 1-35				18	35	2×10		1×10		4.5										
NK 1-45				25	45	3×10		2×10		6										
NK 1-55	17	30	1.5	32	55	4×10	10	3×10	7.5	7.5	12.5	3.5	18.4	8.6	22	12	10	4.1	2.55	
NK 1-65				40	65	5×10		4×10		8.5										
NK 1-75				45	75	6×10		5×10		11										
NK 1-85				50	85	7×10		6×10		13.5										
NK 2-35				18	35	1×15	–			3										
NK 2-50				30	50	2×15		1×15		4.5										
NK 2-65				40	65	3×15		2×15		7										
NK 2-80	21	40	2	50	80	4×15	15	3×15	10	9.5	17.5	5	25	11	30	16	15	6	3.5	
NK 2-95				60	95	5×15		4×15		12										
NK 2-110				70	110	6×15		5×15		14.5										
NK 2-125				80	125	7×15		6×15		17										
NK 3-55				30	55	1×25	–			5.5										
NK 3-80				45	80	2×25		1×25		10.5										
NK 3-105				60	105	3×25		2×25		15.5										
NK 3-130	28	60	3	75	130	4×25	25	3×25	15	20.5	27.5	10	39	17	40	40	25	7.5	4.5	
NK 3-155				90	155	5×25		4×25		25.5										
NK 3-180				105	180	6×25		5×25		30.5										
NK 3-205				130	205	7×25		6×25		30.5										

* Only with special model B

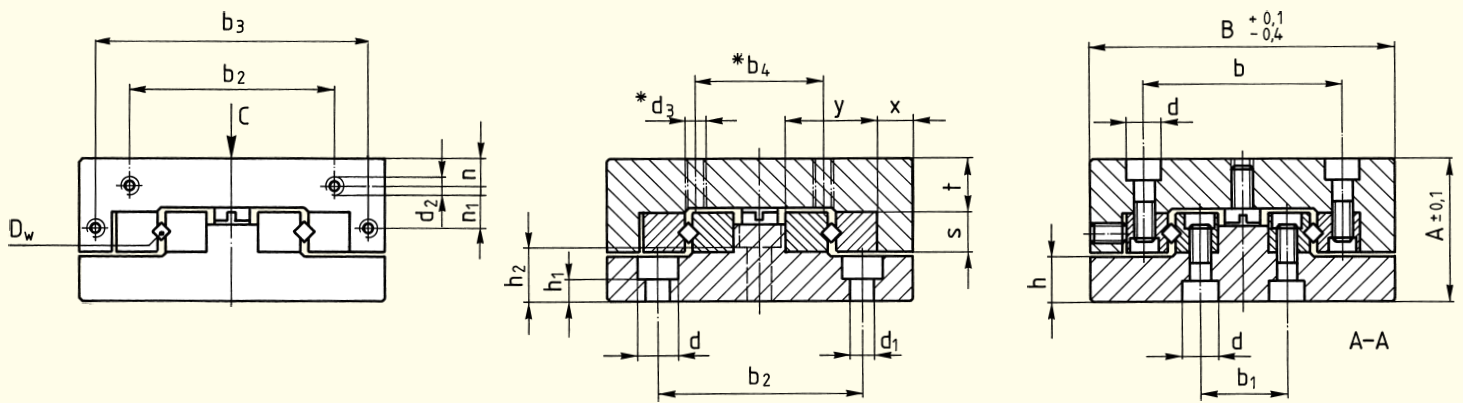


Layout of the standard attaching holes in the lower section



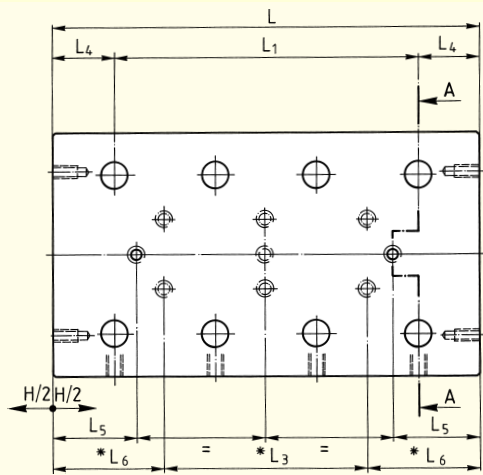
d_2	$*d_3$	h	h_1	h_2	n	s	t	x	y	C in N	M_L in Nm	M_Q in Nm	Weight in kg	Fig.
M2	M2	5.5	3	-	2.5	4	7	4	8.5	250	1.20	1.69	0.08	1
										350	1.80	2.36	0.112	1
										450	2.40	3.04	0.144	1
										550	3.00	3.71	0.176	2
										650	3.60	4.39	0.208	2
										750	4.20	5.06	0.24	2
M2	M3	6.5	3	-	3.4	6	8	5	12	900	5.10	6.08	0.277	2
										425	2.72	3.83	0.18	1
										595	4.08	5.36	0.26	1
										850	6.12	7.65	0.34	1
										1020	7.48	9.18	0.42	2
										1275	9.52	11.48	0.5	2
										1445	10.88	13.01	0.58	2
1700	12.92	15.30	0.68	2										
M3	M4	9	4.5	10	5.5	8	10.5	7	18	910	7.80	12.74	0.57	1
										1300	11.70	18.20	0.8	1
										1820	16.90	25.48	1.03	1
										2210	20.80	30.94	1.26	1
										2730	26.00	38.22	1.49	3
										3120	29.90	43.68	1.72	3
										3510	33.80	49.14	1.95	4

Ordering example: 1 Frictionless table NK 3-105 or 1 Frictionless table NK 3-105-B

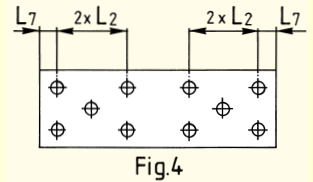
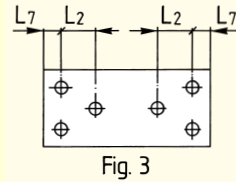
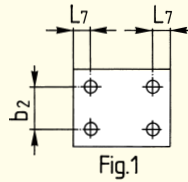


Order No.	Dimensions (mm)				L	L ₁	L ₂	*L ₃	L ₄	L ₅	*L ₆	L ₇	b	b ₁	b ₂	b ₃	*b ₄	d	d ₁
	A	B	D _w	H															
NK 6-110				60	110	1 × 50		–		16.5									
NK 6-160				95	160	2 × 50		1 × 50		24									
NK 6-210				130	210	3 × 50		2 × 50		31.5									
NK 6-260	45	100	6	165	260	4 × 50	50	3 × 50	30	39	55	10	64	26	60	92	50	11	7
NK 6-310				200	310	5 × 50		4 × 50		46.5									
NK 6-360				235	360	6 × 50		5 × 50		54									
NK 6-410				265	410	7 × 50		6 × 50		64									
NK 9-210				130	210	1 × 100		–		27									
NK 9-310	60	145	9	180	310	2 × 100		1 × 100	55	52	105	55	98	46	90	135	80	15	9
NK 9-410				350	410	3 × 100	100	2 × 100		17									
NK 9-510				450	510	4 × 100		3 × 100		17									

* Only with special model B



Layout of the standard attaching holes in the lower section



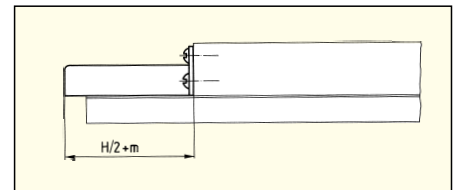
d_2	$*d_3$	h	h_1	h_2	n	n_1	s	t	x	y	C in N	M_L in Nm	M_Q in Nm	Weight in kg	Fig.
											3710	57.24	83.48	3.07	1
											5830	95.40	131.18	4.46	1
											7420	124.02	166.95	5.85	3
M4	M6	13	6	15	8	15	15	16	12	31	9540	162.18	214.65	7.24	3
											11660	200.34	262.35	8.63	3
											13250	228.96	298.13	10.02	4
											15370	267.12	345.83	11.41	4
											11700	291.20	421.20	11.8	1
M4	M8	16	7	20	11	20	22	21	14.5	44	18200	473.20	655.20	17.3	1
											20800	546.00	748.80	22.8	3
											24700	655.20	889.20	28.3	3

Ordering example: 1 Frictionless table NK 6-160 or 1 Frictionless table NK 6-160-B

3.6 Accessories

Simple Guards (-A)

against the ingress of dirt from above



Size	1	2	3	6	9
m	2	3	4	6	11.5