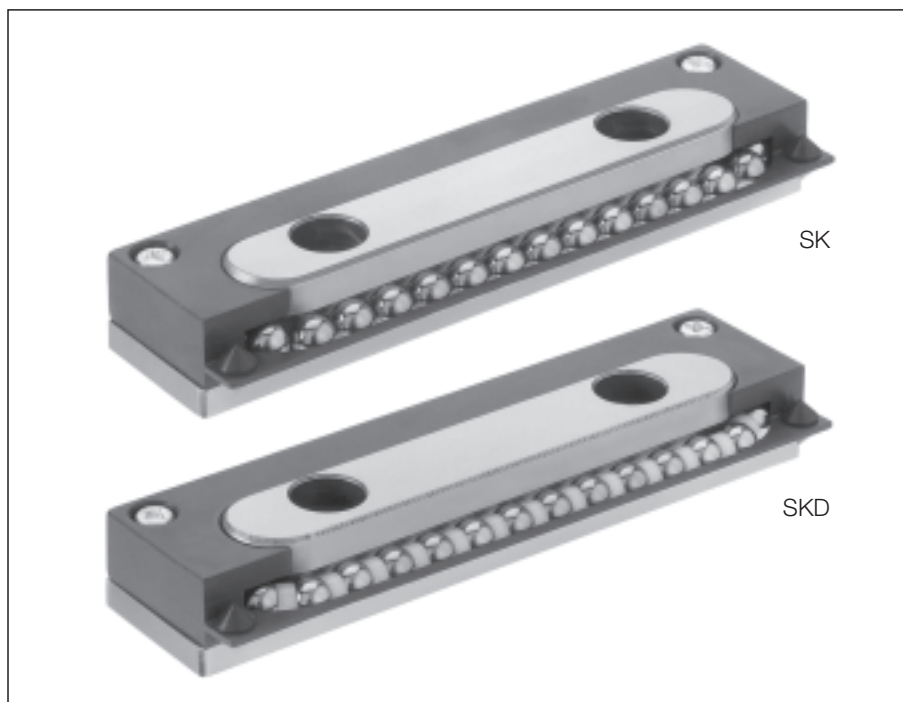


### 11.1 Recirculating Type SK and SKD



The type SK recirculating unit is equipped with balls and is suitable for low to medium loading. It is used with SCHNEEBERGER type R or RD linear bearings and can be uniformly loaded in every direction. Hence, space saving designs may be realized. Some sizes can be additionally fitted with damping elements (type designation SKD). These provide smoother operation but also have a somewhat reduced load carrying capacity.

### 11.2 Material

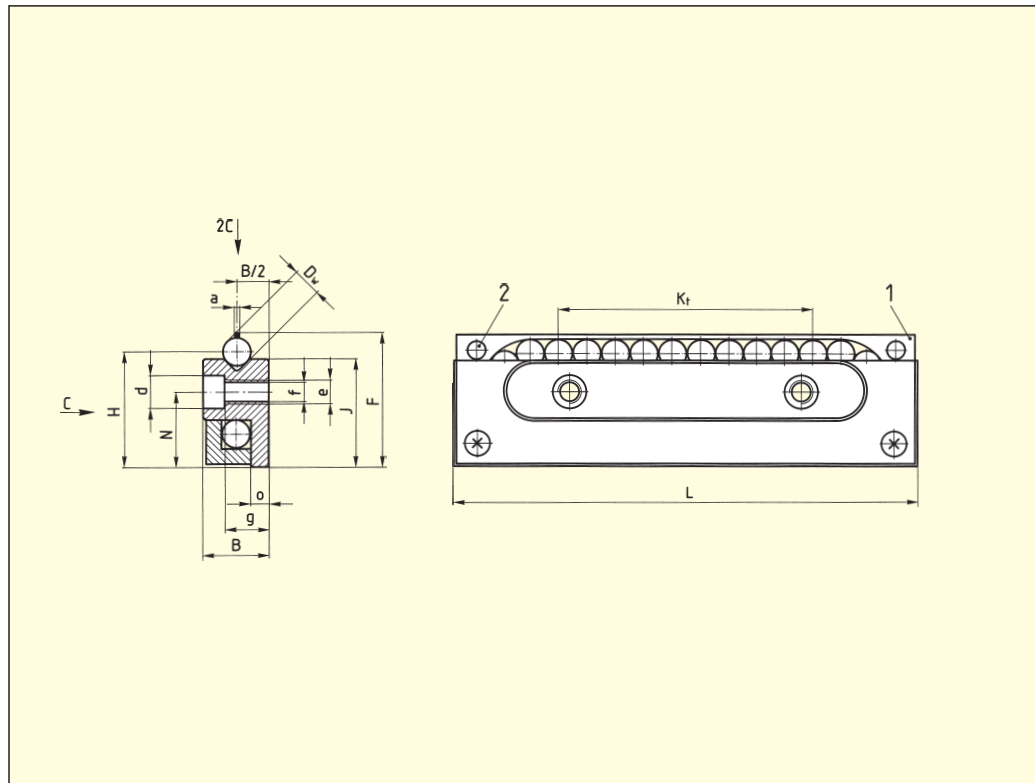
Steel carrier: hardened and very precisely ground.

All recirculating parts, with their integrated ball retainers: protectively coated aluminium or plastic.

From size 3 and larger, replaceable plastic track wipers are included as standard.

With type SKD, available from size 6, the balls are spaced with plastic damping elements which give them even better running qualities.

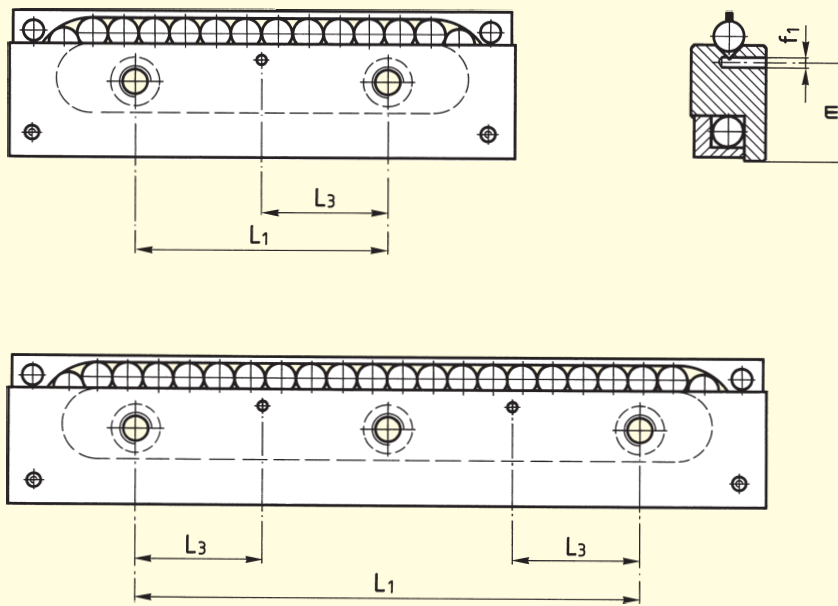
### 11.3 Dimension Table SK and SKD



1: Retaining shoulder; may not be used as a stop  
 2: Wipers, from size SK 3-075 and larger

Type	Size		Weight in g	B	D <sub>w</sub>	F	H	J	K <sub>f</sub>
<b>SK</b>	<b>1-022</b>	-	5	4	1.5	8.4	7.25	6.9	9
<b>SK</b>	<b>2-032</b>	-	10	6	2	11	9.5	9	16
<b>SK</b>	<b>3-075</b>	-	45	8	3	16.9	14.5	13.8	48
<b>SK</b>	<b>6-100</b>	<b>SKD 6-100</b>	200	15	6	28.9	24.5	22.9	60
<b>SK</b>	<b>6-150</b>	<b>SKD 6-150</b>	300	15	6	28.9	24.5	22.9	102
<b>SK</b>	<b>9-150</b>	<b>SKD 9-150</b>	670	22	9	45.1	39	36.7	90
<b>SK</b>	<b>9-200</b>	<b>SKD 9-200</b>	940	22	9	45.1	39	36.7	144
SK	12-200	SKD 12-200	1470	28	12	57.1	49	45.9	120

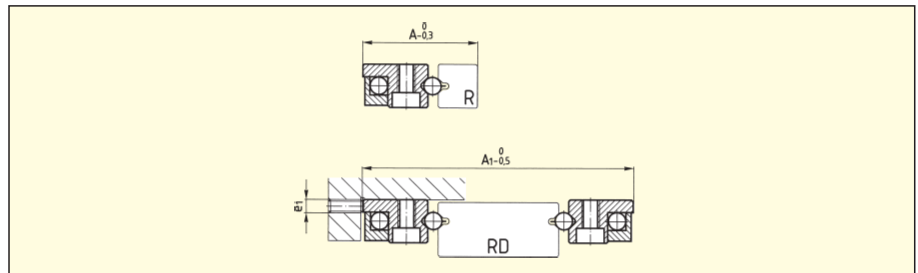
Ordering example: 4 Recirculating units SK 6-100 or  
 8 Recirculating units SK 6-100-GP, matched in sets of 4



L	L <sub>1</sub>	L <sub>3</sub>	N	Q	a	d	e	f	f <sub>1</sub>	g	m	o	C in N	
													SK	SKD
22	1×10	–	4.8	13.5	0.3	3	M2	1.65	–	2.6	–	1.2	63	–
32	1×15	–	6	18	0.3	4.4	M3	2.55	–	4	–	1.9	135	–
75	1×25	12.5	9	28	0.5	6	M4	3.3	1.5	4.9	11.5	2.4	425	–
100	1×50	25	15	45	1	9.5	M6	5.2	2	9.8	19.7	4.4	715	650
150	2×50	25	15	45	1	9.5	M6	5.2	2	9.8	19.7	4.4	1170	1100
150	1×100	50	26	72	1.5	10.5	M8	6.8	3	15.8	32.4	6.3	1650	1500
200	1×100	50	26	72	1.5	10.5	M8	6.8	3	15.8	32.4	6.3	2550	2400
200	1×100	50	32	77	2	13.5	M10	8.5	3	19.8	40.2	7.7	2860	2600

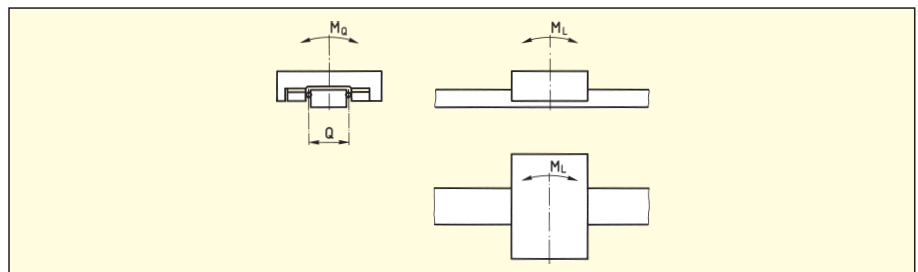
Suitable linear bearings: Type R and RD (chapter 5 and 6)

## 11.4 Fitting dimensions



Type	Size		A	A <sub>1</sub>	e <sub>1</sub>
<b>SK</b>	<b>1-022</b>	-	11.5	28	M1.6
<b>SK</b>	<b>2-032</b>	-	15.5	37	M2.5
<b>SK</b>	<b>3-075</b>	-	23.5	57	M3
<b>SK</b>	<b>6-100</b>	<b>SKD 6-100</b>	40	94	M5
<b>SK</b>	<b>6-150</b>	<b>SKD 6-150</b>	40	94	M5
<b>SK</b>	<b>9-150</b>	<b>SKD 9-150</b>	61	150	M6
<b>SK</b>	<b>9-200</b>	<b>SKD 9-200</b>	61	150	M6
SK	12-200	SKD 12-200	78	175	M8

## 11.5 Permissible moments



Type	Size		M <sub>L</sub> in Nm		M <sub>0</sub> in Nm	
			SK	SKD	SK	SKD
<b>SK</b>	<b>1-022</b>	-	0.4	-	0.8	-
<b>SK</b>	<b>2-032</b>	-	1.4	-	2.4	-
<b>SK</b>	<b>3-075</b>	-	7.2	-	12	-
<b>SK</b>	<b>6-100</b>	<b>SKD 6-100</b>	23	23	32	29
<b>SK</b>	<b>6-150</b>	<b>SKD 6-150</b>	40	40	53	50
<b>SK</b>	<b>9-150</b>	<b>SKD 9-150</b>	81	81	119	108
<b>SK</b>	<b>9-200</b>	<b>SKD 9-200</b>	130	130	184	173
SK	12-200	SKD 12-200	187	187	220	200

Order numbers in bold face are standard articles and lengths.  
Order numbers in normal face are special articles and lengths and are available on request.