

### 13.1 Recirculating Unit Type SR

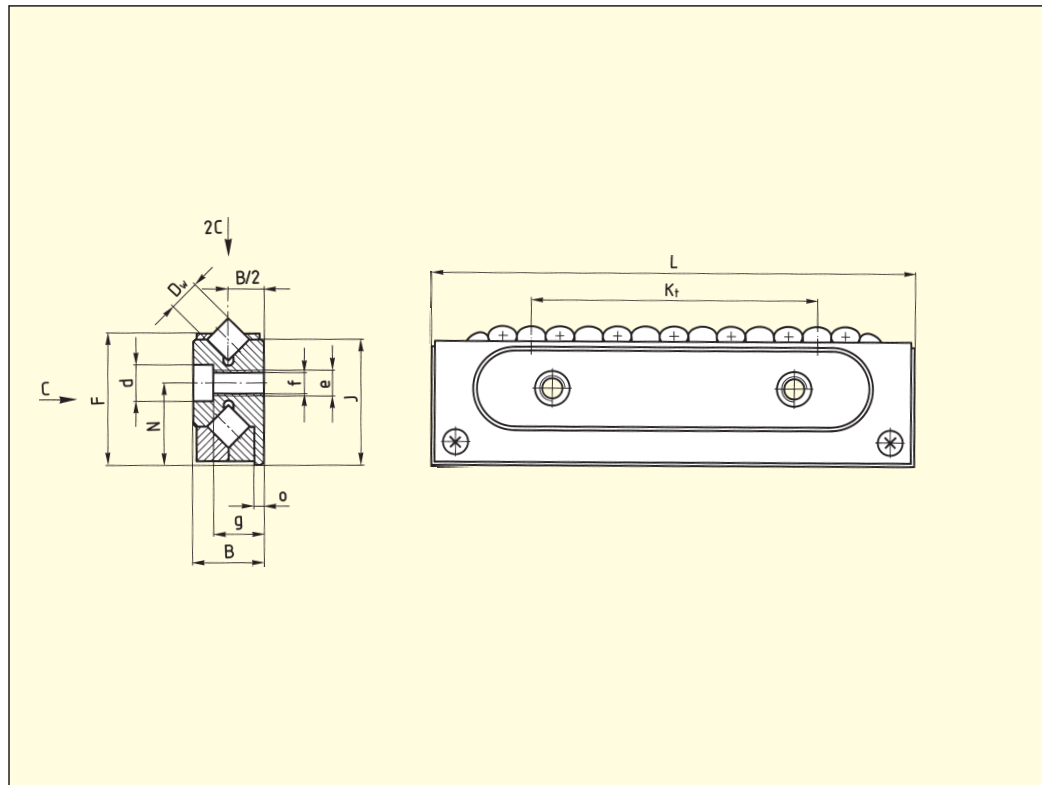


The SR recirculating unit has cross rollers and is suitable for medium to high loading. When used together with SCHNEEBERGER type R or RD linear bearings the same fitting dimensions result as with type SK, but the load carrying capacity and rigidity are greater.

### 13.2 Material

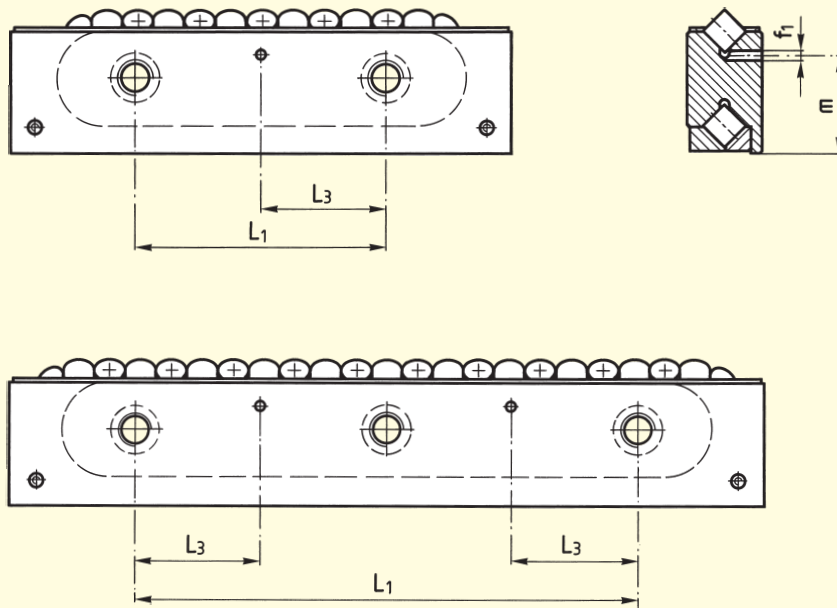
With type SR recirculating units the cross rollers run on a hardened and very precisely ground steel carrier. The recirculating housing, made from protectively coated aluminum or plastic, prevents the rollers from falling out. On the standard size 3–12 models the rollers are mounted in plastic inserts.

### 13.3 Dimension Table Type SR



Type	Size	Weight in g	B	D <sub>w</sub>	F	J	K <sub>t</sub>	L
SR	2-032	10	6	2	9.8	9.5	16	32
SR	3-075	50	8	3	15	14.5	46	75
SR	6-100	210	15	6	25.7	24.5	56	100
SR	6-150	310	15	6	25.7	24.5	105	150
SR	9-150	750	22	9	40.5	39	92	150
SR	12-200	1580	28	12	51.5	49	112	200

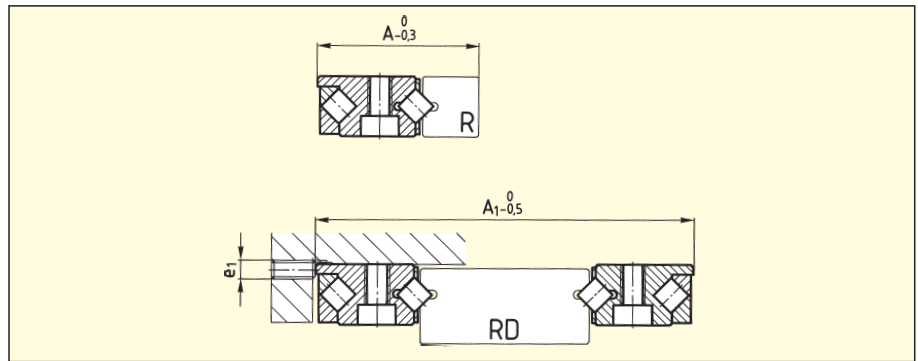
Ordering example: 20 Recirculating units SR 9-150



$L_1$	$L_3$	N	Q	d	e	f	$f_1$	g	m	o	C in N
1×15	–	6	18	4.4	M3	2.55	–	4	–	1	380
1×25	12.5	9	28	6	M4	3.3	1.5	4.9	11.8	1.3	850
1×50	25	15	45	9.5	M6	5.2	2	9.8	19.7	2.5	2150
2×50	25	15	45	9.5	M6	5.2	2	9.8	19.7	2.5	3750
1×100	50	26	72	10.5	M8	6.8	3	15.8	32.4	3.5	5850
1×100	50	32	77	13.5	M10	8.5	3	19.8	40.2	4	10000

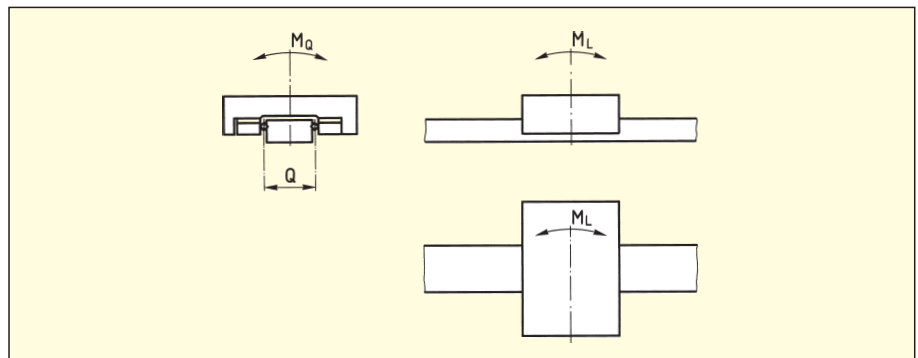
Suitable linear bearings: Type R and RD (chapter 5 and 6)

### 13.4 Fitting dimensions



Type	Size	A	A <sub>1</sub>	e <sub>1</sub>
<b>SR</b>	<b>2-032</b>	15.5	37	M2.5
<b>SR</b>	<b>3-075</b>	23.5	57	M3
<b>SR</b>	<b>6-100</b>	40	94	M5
<b>SR</b>	<b>6-150</b>	40	94	M5
<b>SR</b>	<b>9-150</b>	61	150	M6
SR	12-200	78	175	M8

### 13.5 Permissible moments



Type	Size	M <sub>L</sub> in Nm	M <sub>Q</sub> in Nm
<b>SR</b>	<b>2-032</b>	3	7
<b>SR</b>	<b>3-075</b>	12	24
<b>SR</b>	<b>6-100</b>	60	97
<b>SR</b>	<b>6-150</b>	112	169
<b>SR</b>	<b>9-150</b>	241	421
SR	12-200	553	770

Order numbers in bold face are standard articles and lengths.  
 Order numbers in normal face are special articles and lengths and are available on request.